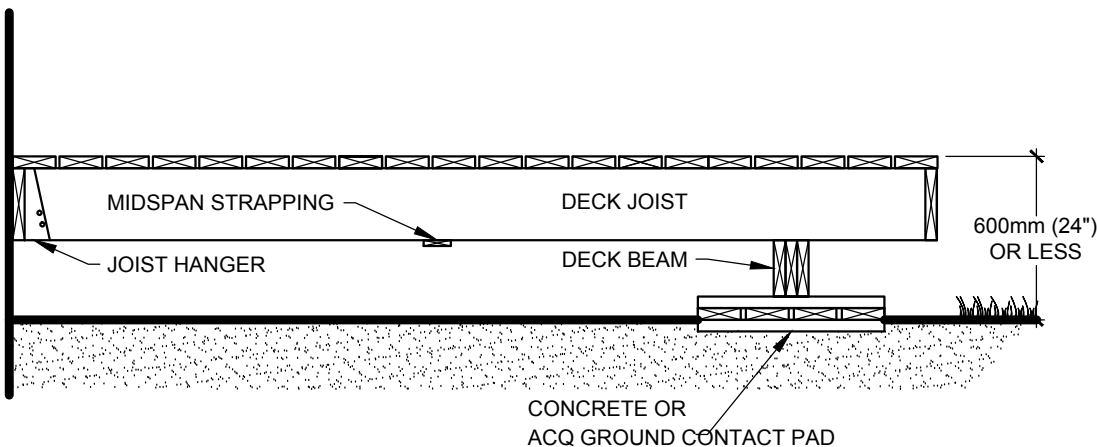


RAISED DECK



GROUND LEVEL PATIO

**National Building Code of Canada 2005
Required Guards 9.8.8.1 (1)**

Every walking surface (deck, stair, ramp, walkway) shall be protected with a guard where there is a height difference of more than 600mm (24") between the walking surface and an adjacent surface, or the adjacent surface within 1.2m (48") walking surface has a slope more than 1 in 2.

Height of Guard 9.8.8.3

Guards for walking surfaces with a height difference between 600mm (24") and 1800mm (72") shall be no less than 900mm tall (36").

Guards for walking surfaces with a height difference greater than 1800mm (72") shall be not less than 1070mm (42").

Guards for stairs shall be not less than 900mm (36") as measured vertically from the leading edge of the stair tread. If the top of the stair's guard will be serving as a required handrail the maximum height is 935mm (38").

Openings in Guards and Design to Prevent Climbing 9.8.8.5 & 9.8.8.6

The spacing of spindles and other openings in guards shall prevent the passage of a 100mm (3 7/8") sphere, and shall not facilitate climbing of the guard.

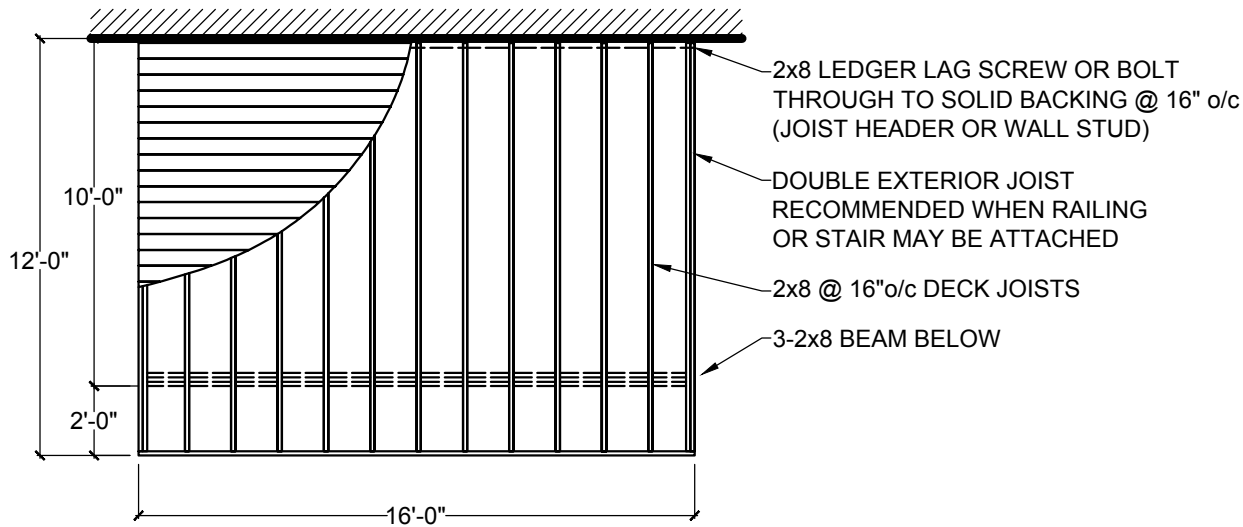
**BASIC DECK
PLANS**

SCALE 1/2"=1'-0"

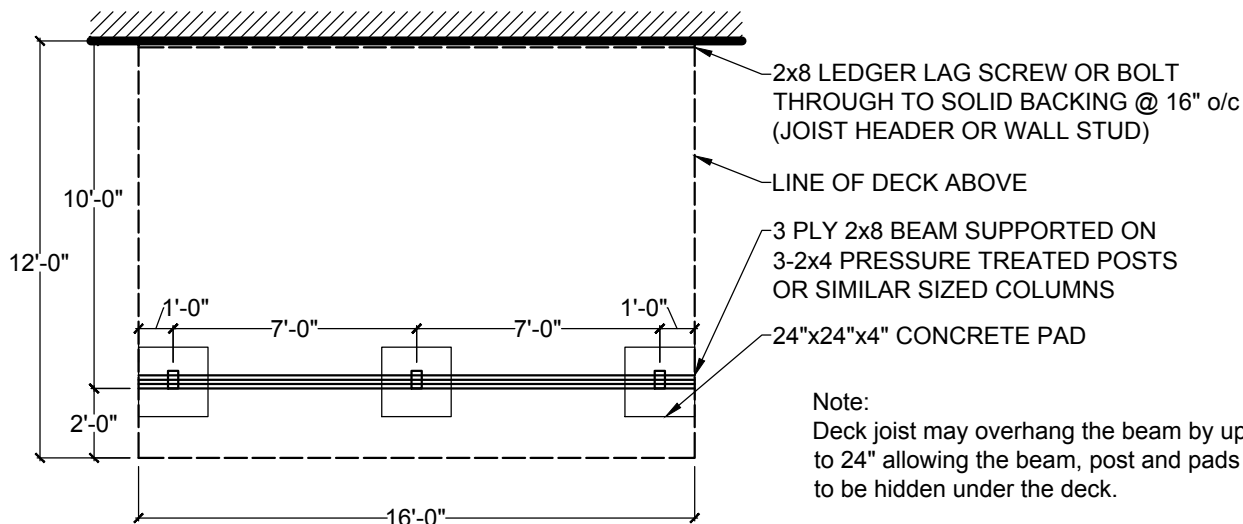


PERMITS FOR DECKS AND PATIOS

Exterior wood framed decks and patios do require building permits. The permit application shall include a site plan locating the deck in relation to existing structures and property lines, and include construction drawings depicting all structural and safety aspects of the structure.

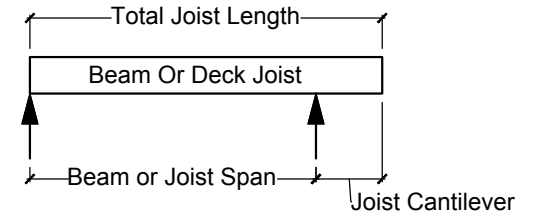


JOIST PLAN



BEAM & POST PLAN

Maximum Spans for Deck Joists @ 16" o/c



- 2x6 Spruce Joist - 9'-2" span
- 2x8 Spruce Joist - 12'-1" span
- 2x10 Spruce Joist - 14'-1" span
- 2x6 ACQ 8'-10" span
- 2x8 ACQ 11'-6" span
- 2x10 ACQ 14'-1" span

Span for Deck Beams

Under most conditions a 3 ply 2x8 SPF beam must be supported on a post or pad every 8'-0". This beam can be cantilevered beyond the last support by 24" maximum.

Further detailed joist and beam span information is available in the Canadian Wood Council's *The Span Book*, the Canadian Mortgage and Housing Corporation's *Canadian Wood Framed Construction*, the *National Building Code of Canada*, and your local lumber supplier.

Pressure Treated Material (ACQ)

All lumber (post, pad, joists and decking) in contact with or within 12" of grade level shall be pressure treated material.

BASIC DECK PLANS

SCALE 3/16"=1'-0"

